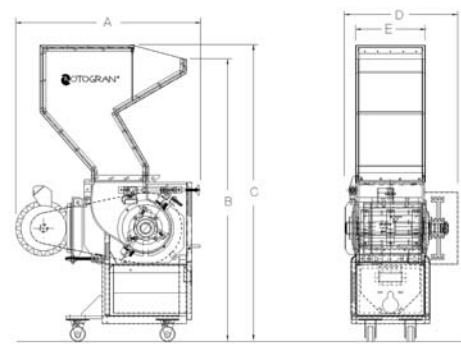




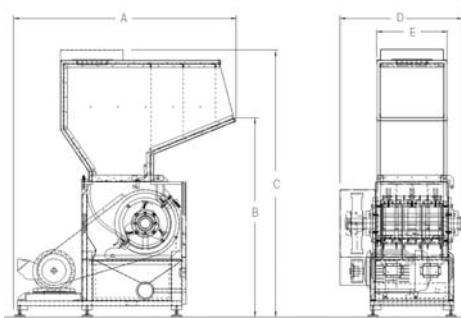
In the forefront of granulator production World-wide.

Since 1982, Rotogran International Inc. has manufactured granulators and closed loop granulating systems for the plastics and recycling industries. In use around the world, Rotogran granulating systems are the workhorse of the breed ... out-performing and out-lasting all others in the marketplace today.

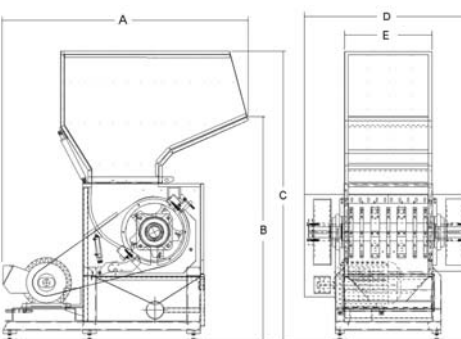
Standard chamber sizes range from 8 x 8 inches to 44 x 65 inches ... Capacities from 200 to 10,000 lbs./hr. Custom designs, efficiency and durability are the Rotogran way.



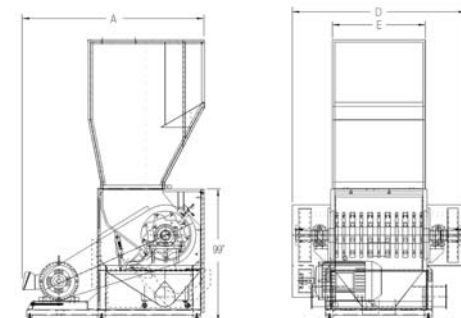
PH-88/PH-1012/PH-1214



WO-1418 - WO-2236



WO-3036 - WO-3065



TN Series

"PH" PHOENIX SERIES PRESS SIDE GRANULATORS

Single Flywheel, 3 Blade Rotor, Standard Duty Granulators

Model	Dimensions (inches)					Throat Size (inches)	Knives		Motor (hp)	Throughput (lbs/hr)	Weight (lbs)
	A	B	C	D	E		Fixed	Rotor			
PH-88	30	44	44	19	9	8 x 8	2	3	5	150-200	500
PH-1012	34	55	58	25	14	10 x 12	2	3	7.5/10	400-600	900
PH-1214	43	59	63	28	16	12 x 14	2	3	15/20	500-750	1500

"WO" WORLD SERIES PRESS SIDE GRANULATORS

Single Flywheel, 3 Blade Rotor, Medium Duty Granulators

Model	Dimensions (inches)					Throat Size (inches)	Knives		Motor (hp)	Throughput (lbs/hr)	Weight (lbs)
	A	B	C	D	E		Fixed	Rotor			
WO-1418	62	61	76	38	20	14 x 18	2	3	20/25	600-1100	2500
WO-1424	62	61	76	44	26	14 x 24	2	6	25/30	800-1500	3200
WO-2224	85	76	103	46	27	22 x 24	2	6	40/50	1200-2000	5200
WO-2236	93	78	104	59	40	22 x 36	4	9	60	1800-2800	6500
WB-1236	42	48	53	56	38	12 x 36	4	15	20/25	500-1000	4500

"WO" WORLD SERIES CENTRAL GRANULATORS

Twin Flywheel, 5 Blade Rotor, Heavy Duty Granulators

Model	Dimensions (inches)					Throat Size (inches)	Knives		Motor (hp)	Throughput (lbs/hr)	Weight (lbs)
	A	B	C	D	E		Fixed	Rotor			
WO-2224	85	76	103	56	27	22 x 24	2	10	50	1600-2400	5800
WO-2236	93	78	104	69	40	22 x 36	4	15	75	2400-3200	7500
WO-3036	112	102	132	77	40	30 x 36	4	15	100/150	2800-3800	10000
WO-3052	112	102	132	94	56	30 x 52	4	20	125/200	3200-4800	13000
WO-3065	112	102	132	109	69	30 x 65	6	25	200/250	3600-5500	16000

"TN" TITAN SERIES CENTRAL GRANULATORS

Twin Flywheel, Multi-Blade Rotor, Severe Duty Granulators

Model	Dimensions (inches)					Throat Size (inches)	Knives		Motor (hp)	Throughput (lbs/hr)	Weight (lbs)
	A	B	C	D	E		Fixed	Rotor			
TN-4436	135	*	*	101	40	44 x 36	4	9/15/27	200/300	4000-6000	25000
TN-4452	135	*	*	117	56	44 x 52	4	12/20/36	250/350	5000-7000	29000
TN-4465	135	*	*	130	69	44 x 65	6	15/25/45	300/500	6000-10000	35000

* Titan series machines are supplied with hoppers designed to suit each individual application

Please note that all dimensions are based on standard machine configurations and are subject to change without notice.

EVACUATION SYSTEMS, FINES SEPARATORS, SURGE BINS

Evacuation Systems

Includes blower, cyclone, stand, filterbag assembly, complimentary connection hose, and wired starter

Model	Blower Motor (hp)	Blower Housing	Inlet (")	Outlet (")	Cyclone Dia (") or Type	Stand Type	Application (granulator)
PH90AL-1534	1-1/2	Aluminum Casting	3	4	24	Adjustable	88/1012
PH90AL-3034	3	Aluminum Casting	3	4	24	Adjustable	1012/1214
PH15ST-3046	3	3/16" Mild Steel	4	6	36	A-Frame	1418/1424
PH15ST-5066	5	3/16" Mild Steel	6	6	36	A-Frame	2224/2236
PH15ST-7566	7-1/2	3/16" Mild Steel	6	6	48	A-Frame	2224/2236
PH15ST-1068	10	3/16" Mild Steel	6	8	48	A-Frame	3036/3052
PH15ST-1588	15	3/16" Mild Steel	8	8	48	A-Frame	3052/3065
PH21ST-201012	20	1/4" Mild Steel	10	12	60	A-Frame	4436/4452
PH26ST-251212	25	1/4" Mild Steel	12	12	60	A-Frame	4452/4465
PH33ST-401515	40	1/4" Mild Steel	15	15	60	A-Frame	4452/4465

Fines Separator Systems

Includes main evac and fines blowers, fines separator, fines cyclone, stand, filterbag assemblies, and wired starters

Model	Blower Motor (hp)	Blower Housing	Inlet (")	Outlet (")	Cyclone Dia (") or Type	Stand Type	Application (granulator)
PH7FS-3034	3	Aluminum Casting	3	4	#7 FS	Frame	88/1418
PH11FS-5068	5	3/16" Mild Steel	6	8	#11 FS	Frame	2224/2236
PH11FS-1068	10	3/16" Mild Steel	6	8	#11 FS	Frame	3036/3065
PH13FS-2088	20	1/4" Mild Steel	10	12	#13 FS	Frame	4436/4465

Optional stainless steel or abrasion resistant steel blower construction available
Rotary airlocks are available as an option on all evacuation systems

Surge Bins

Model	Construction	Capacity
PH24SB	14 ga steel	350 lbs
PH36SB	11 ga steel	1000 lbs
PH48SB	10 ga steel	2000 lbs

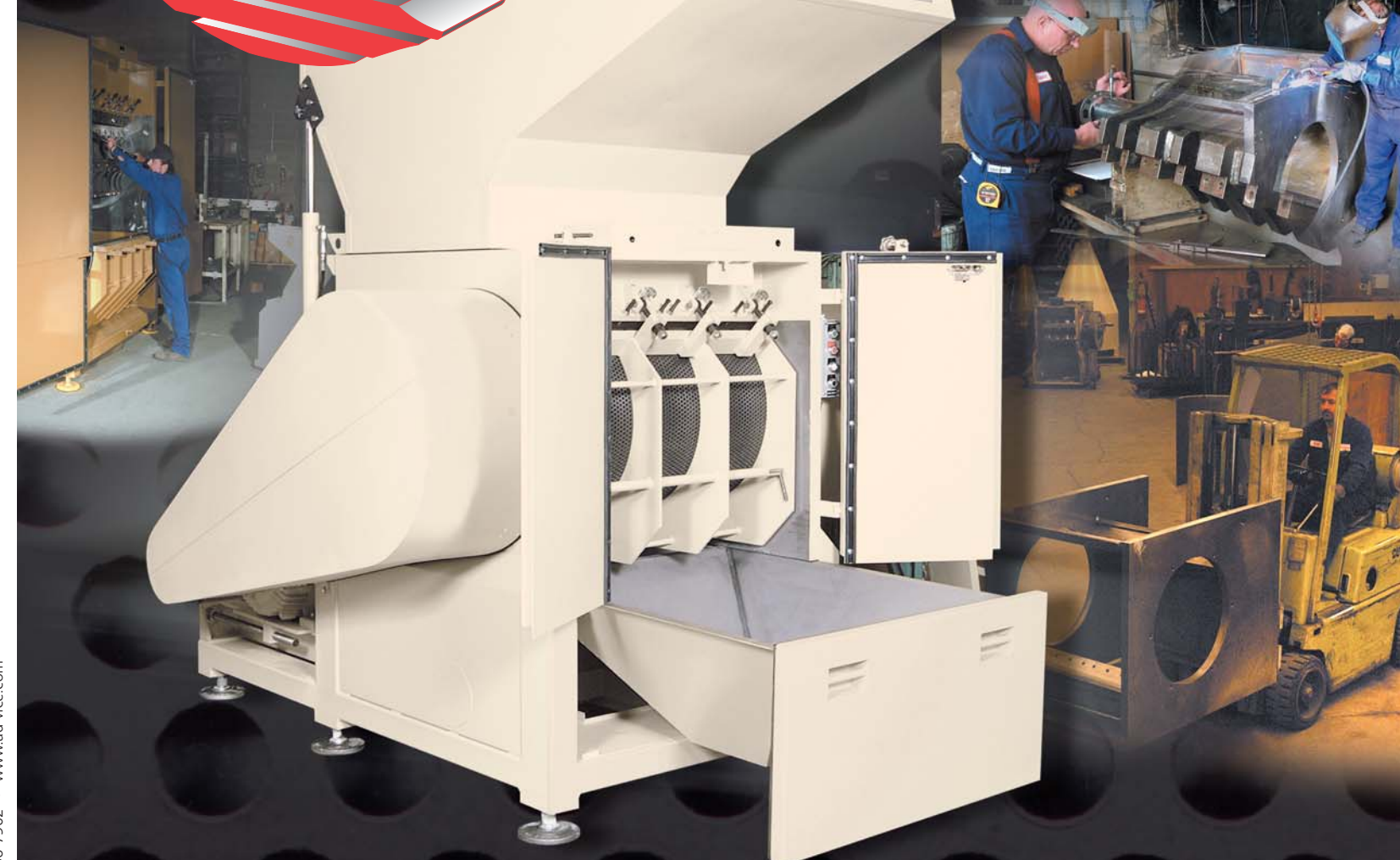
ROTOGRAN[®]
INTERNATIONAL INC.
3 Bradwick Drive
Concord (Toronto), Ontario
L4K 2T4 - Canada
www.rotogran.com

For your area representative or for a quotation, please call:
905-738-0101

Fax: 905-738-5750

E-mail: info@rotogran.com

Represented by:



MANUFACTURER AND DISTRIBUTOR OF GRANULATORS FOR THE PLASTICS AND RECYCLING INDUSTRIES

You produce it ... We'll reduce it.

WHAT DOES THE JOB IS WHAT COUNTS. WHAT MAKES IT BETTER IS **ROTOGRAN**.

THE **ROTOGRAN** DIFFERENCE

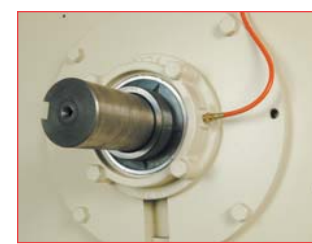
GRANULATORS

Over-engineered for maximum performance and many years of trouble-free operation.

We never compromise on quality, and it is our constant source of pride that we remain in the forefront of granulator production in North America.

Design & Construction

- Tangential feed design assures positive feeding of the material, maximizes throughput, and helps prevent jamming. **Non tangential feed, stainless steel, abrasion resistant, and water-cooled cutting chambers are also standard**
- Quick and easy access to the cutting chamber (for cleaning or blade changes) This design, developed by **Rotogran**, has now become an industry-wide standard
- Improved noise reduction is achieved through the use of engineered sound deadening materials
- Swing-down, heavy duty removable screen cradle provides improved access to the cutting chamber. Hydraulic operation is standard on larger models
- Motor is an integral part of the machine and is mounted at floor level to provide easy access
- All cutting chambers are fabricated from certified ground steel plate as a heavy-duty one piece weldment that is rigid, smooth and easy to clean
- Improved "electrical - mechanical" lock-out features ensure safety on the plant floor



Bearing Mounted Away from chamber wall, Preventing Contamination



Fly Back Curtains



Easy Tilting Hopper with Pivot Lock



Tangential Feed



Secondary Safety Cradle Lock



Hydraulic Operation on larger Units



Venturi Style Evacuation Drawer



Solid A-36 Steel Flywheel



Improved Lock-out



Easy Accessibility from front of Granulator



Improved Sound Enclosure Buffering



T.E.F.C. Hostile Duty Motor and Electrical Control

Rotor & Cutting Chamber

- Cutting chamber is solidly welded on a sound insulated frame and mounted on anti-vibration pads
- Configuration of cutting chamber reduces fines and improves granulate quality
- Over-sized, heavy-duty, self-aligning bearings easily absorb all grinding shock
- Solid-steel flywheels minimize motor and rotor abuse, reduce horsepower requirements and electrical power costs.
- Open rotor design provides more air flow through the cutting chamber, allowing cooler operation and increased throughput
- Rotor is offset in chamber for minimum fly-back and positive cutting of large or bulky items
- Double scissor cutting action on rotor and bed blades assures positive cutting with minimum of fines and lower torque requirements, resulting in lower power consumption
- Heavy-duty, SAE-1045 steel rotors are available in 3, 5, 7 and 9 blade configurations
- Water-cooled and alternative rotor designs are available on request
- **Rotogran** blades are made from fully-hardened and precision ground D2 tool steel
- Micro adjustable bed blades are easily accessible from the front of the granulator
- Acoustically insulated sound absorbing panels are a standard feature on all **Rotogran** granulators. Additional sound enclosures are available as requested

Fast, Accurate Quotes

We're known for providing quotes and drawings for standard and custom designed systems, with speed and efficiency. We ensure all costs are detailed and that our price is the most competitive. In many cases, we've received the order and are into production before other quotes have even been received.



Industry Experience

As specialists in granulator design and manufacturing for over 20 years, we've seen and been a part of the major developments. This experience has enabled us to understand the needs of our clients and produce cutting edge equipment that exceeds the requirements of the most demanding applications.



Quality by Design

What others may consider top-of-the-line, we consider standard. Compare any other granulator with a **Rotogran** and the difference is obvious. We take great pride in designing and manufacturing to a higher standard, and to suit your needs. Quite simply, this is how we provide equipment that works the way it's meant to work.



Innovation

Rotogran has developed innovative features that have now become the standard in granulator designs throughout the industry. Our expertise in identifying and refining elements for increased throughput and efficiency has continually provided our clients with equipment that not only meets, but surpasses expectations.



Training

Rotogran provides total turn key solutions for your facility by offering custom equipment, plus installation and training to meet your scheduling expectations. Training includes equipment overviews, operational and maintenance issues and are conducted for groups or individuals based on your facility's shift plan.



In-stock Parts

From screens and blades, to drive belts and bearings, when something needs replacing, there's no time wasted. **Rotogran** stocks regular replacement parts and also carries a range of custom parts for their clients' custom equipment. For pick up or delivery, we have what you need, now.



We also manufacture what moves the material ...

Belt Conveyors

Rotogran belt conveyors are custom manufactured to suit your processing requirements and your specific granulator. Solidly constructed from heavy-gauge steel, all belt conveyors feature **Rotogran's Tru-guide** belt tracking system which eliminates belt wandering and costly maintenance.

Blower / Cyclone Systems

Rotogran blower/cyclone systems are designed for continuous and efficient evacuation of granules from the granulator bin. Available in motor sizes from 1.5 to 40 hp, they are supplied mounted on a base to form an independent unit, or integrated with the granulator.

Standard features of our evacuation systems include:

- T.E.F.C. motors and electrically interconnected starters
- Blower impellers mounted directly on the motor shaft, eliminating the need for drive belts
- Impellers are precision-machined and dynamically balanced
- Most blower housings are fabricated from solid steel plate
- Stainless steel and abrasion resistant impellers and housings are available
- Standard voltages are 575 or 460/3/60
- Other voltages available on request

